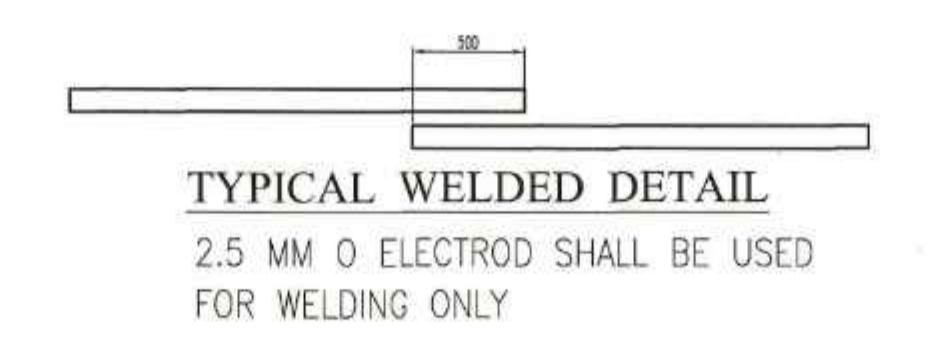


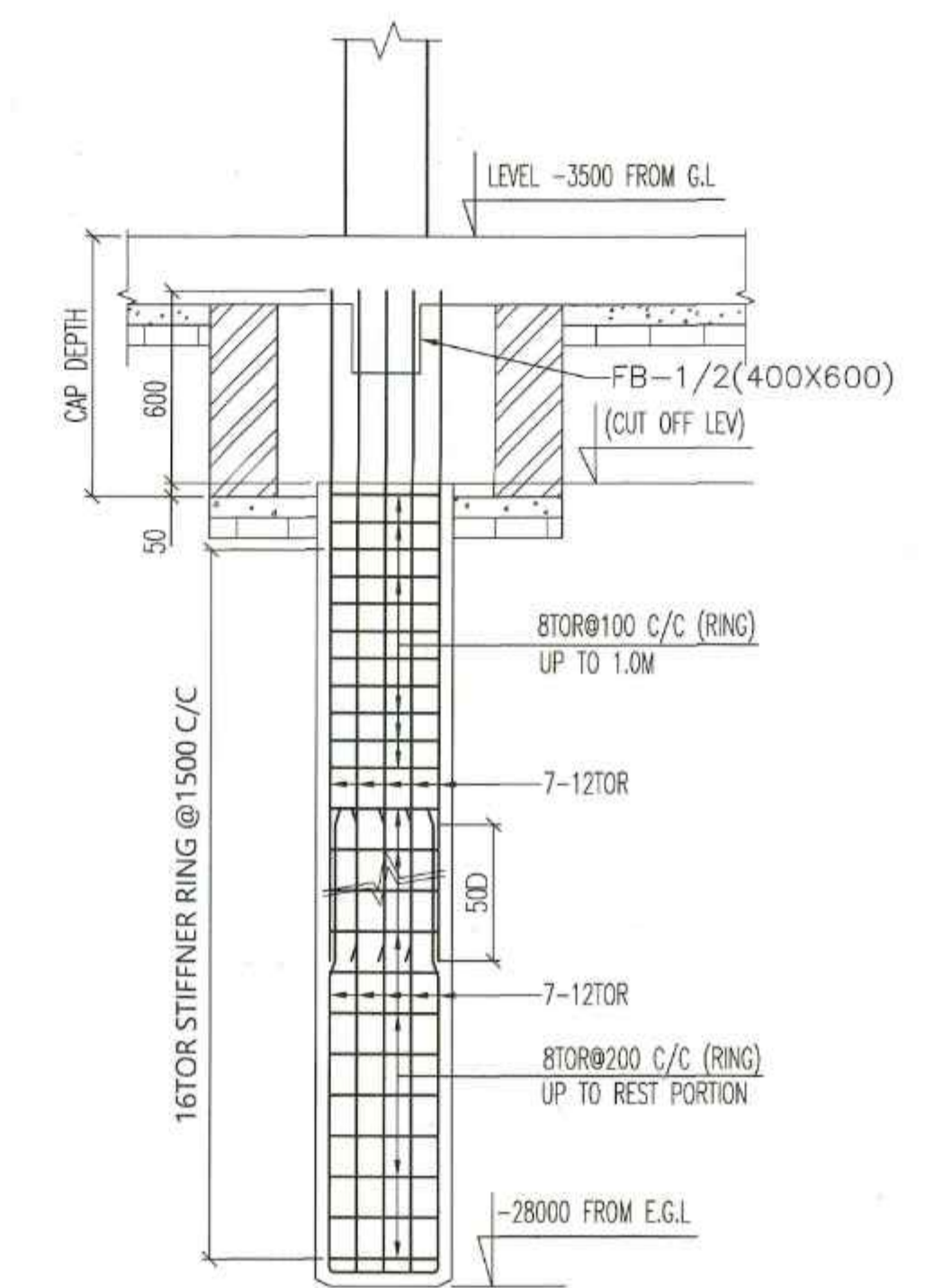
**PILE CAP SCHEDULE (CLUSTER 3,4,5)**  
GRADE OF CONCRETE - M25

TYPE	SIZE	DEPTH	REINFORCEMENT IN SHORTER DIRECTION	REINFORCEMENT IN LONGER DIRECTION
P1	800X800	1000	12 @ 150 C/C ( T ) 16 @ 150 C/C ( B )	12 @ 150 C/C ( T ) 16 @ 150 C/C ( B )
P2	1150X2300	1000	12 @ 125 C/C ( T ) 20 @ 100 C/C ( B )	4L-12 @ 100C/C
P3	AS/DWG	1000	12 @ 150 C/C ( T ) 16 @ 100 C/C ( B )	12 @ 150 C/C ( T ) 16 @ 100 C/C ( B )
P3A	1861X2921	1000	12 @ 150 C/C ( T ) 16 @ 100 C/C ( B )	12 @ 150 C/C ( T ) 16 @ 100 C/C ( B )
P4	2300X2300	1000	12 @ 150 C/C ( T ) 16 @ 100 C/C ( B )	12 @ 150 C/C ( T ) 16 @ 100 C/C ( B )
P5	2921X2921	1200	12 @ 150 C/C ( T ) 20 @ 100 C/C ( B )	12 @ 150 C/C ( T ) 20 @ 100 C/C ( B )
P5A	2300X3398	1200	12 @ 150 C/C ( T ) 20 @ 100 C/C ( B )	12 @ 150 C/C ( T ) 20 @ 100 C/C ( B )
P6	2300X3800	1400	12 @ 150 C/C ( T ) 25 @ 125 C/C ( B )	12 @ 150 C/C ( T ) 25 @ 125 C/C ( B )
P8	2921X5043	1500	16 @ 100 C/C ( T ) 25 @ 100 C/C ( B )	16 @ 100 C/C ( T ) 25 @ 100 C/C ( B )
P10	2300X6800	1600	16 @ 100 C/C ( T ) 25 @ 100 C/C ( B )	16 @ 100 C/C ( T ) 25 @ 100 C/C ( B )
L8	3398X4300	1500	25 @ 125 C/C ( T ) 25 @ 125 C/C ( B )	25 @ 125 C/C ( T ) 25 @ 125 C/C ( B )
L8A	3398X3800	1500	25 @ 125 C/C ( T ) 25 @ 125 C/C ( B )	25 @ 125 C/C ( T ) 25 @ 125 C/C ( B )
L8B	3250X3850	1500	25 @ 125 C/C ( T ) 25 @ 125 C/C ( B )	25 @ 125 C/C ( T ) 25 @ 125 C/C ( B )
L10	AS/DRG.	1700	25 @ 125 C/C ( T ) 25 @ 125 C/C ( B )	25 @ 125 C/C ( T ) 25 @ 125 C/C ( B )
L12	3800X5532	1700	25 @ 125 C/C ( T ) 25 @ 125 C/C ( B )	25 @ 125 C/C ( T ) 25 @ 125 C/C ( B )

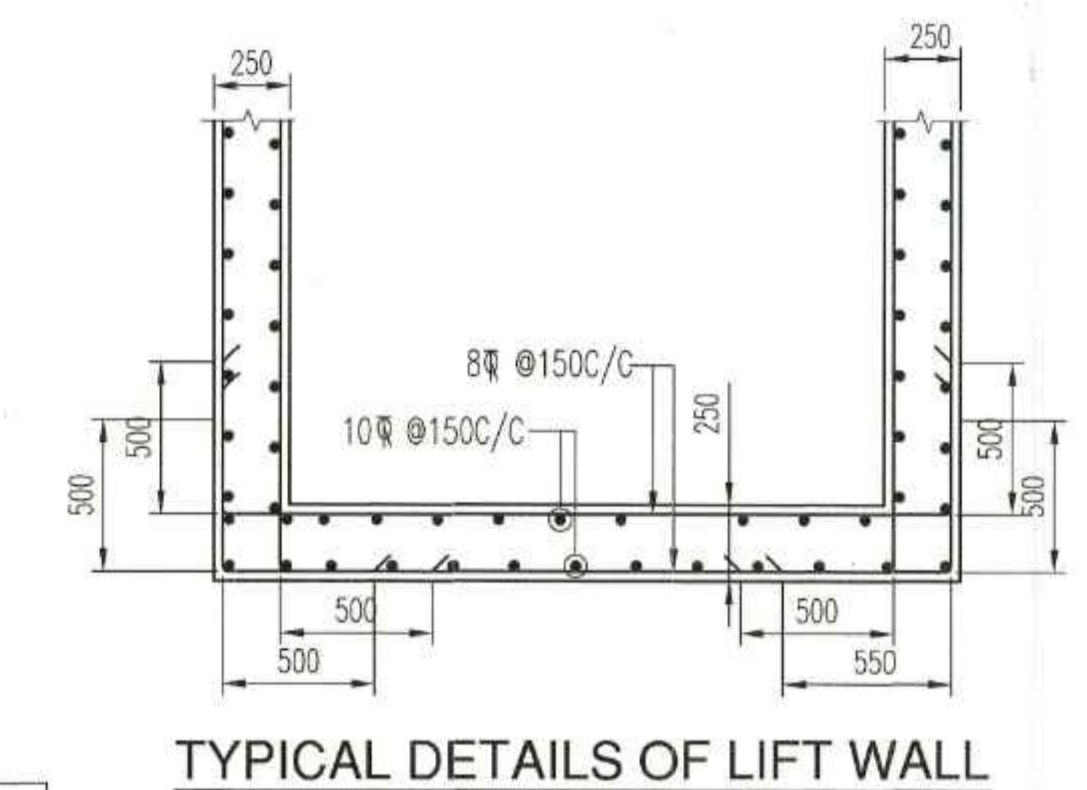


**PILE SCHEDULE**  
(GRADE OF CONCRETE - M25)  
MIN CEMENT CONTENT IN CONCRETE SHALL BE = 400Kg/m

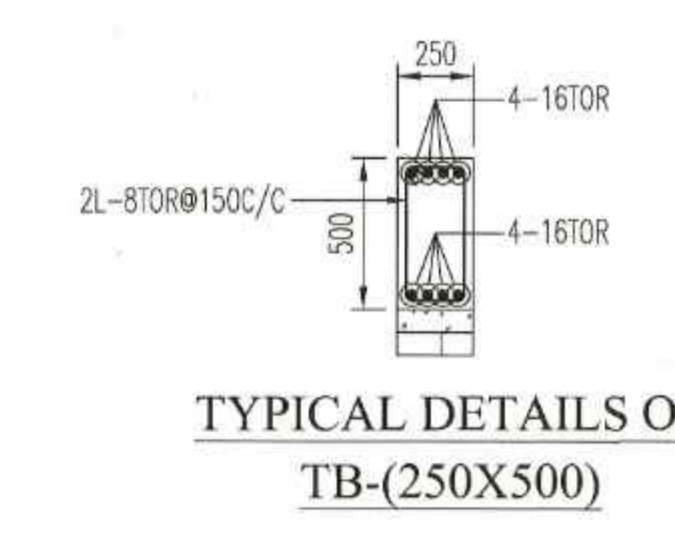
TYPE	DIA OF PILE	REINFORCEMENT	CAPACITY
	500	7-12TOR	80.0T



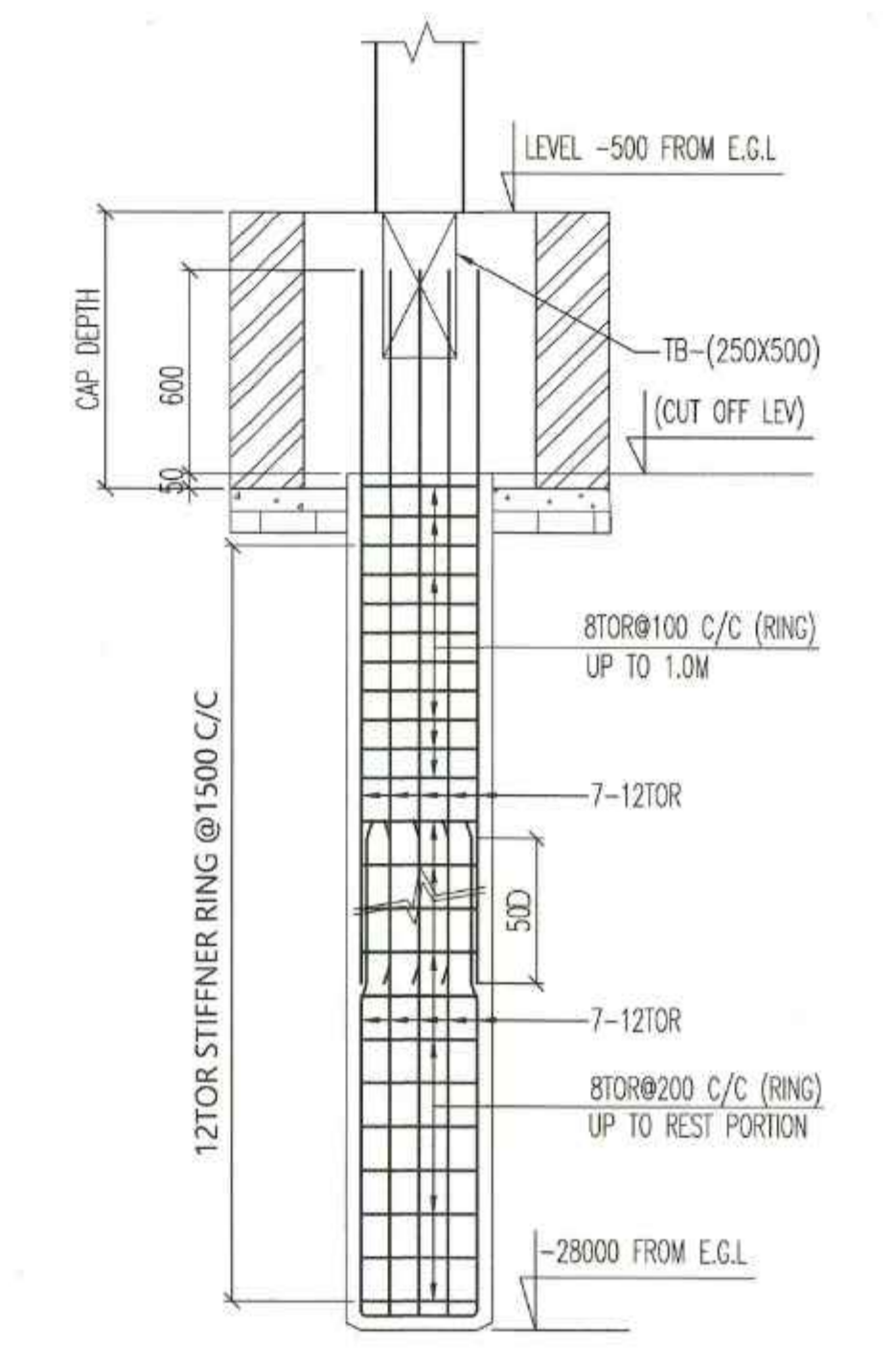
TYPICAL DETAIL OF PILE (500Ø)  
FOR NON BASEMENT PORTION



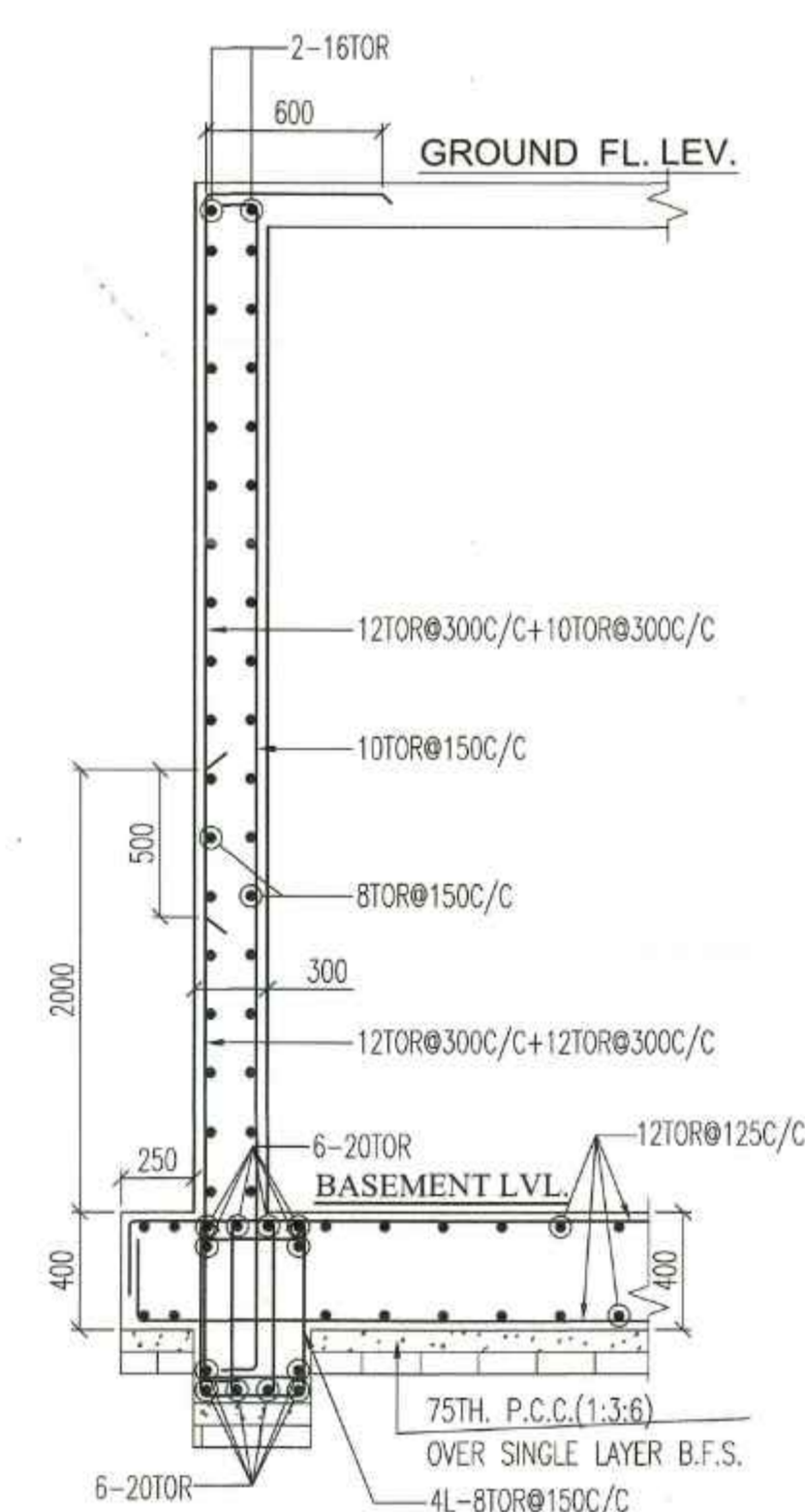
TYPICAL DETAILS OF LIFT WALL



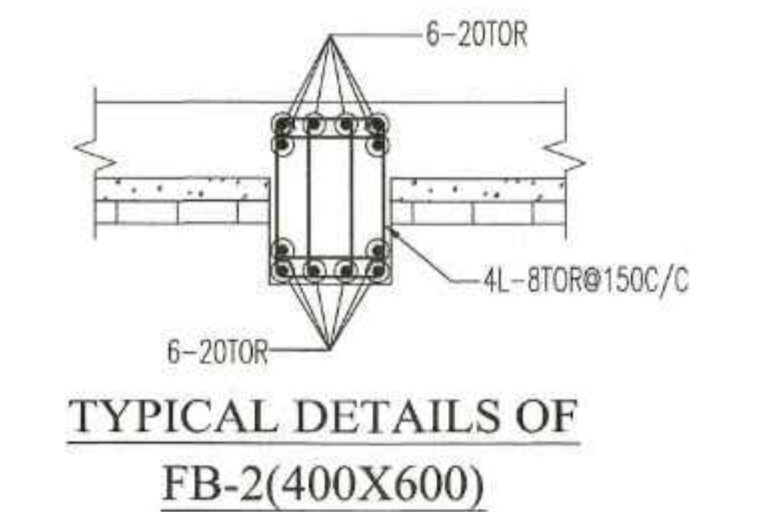
TYPICAL DETAILS OF  
TB-(250X500)



TYPICAL DETAIL OF PILE (500Ø)  
FOR NON BASEMENT PORTION



TYPICAL DETAILS OF  
250THK. R.C.C. WALL &  
FB-1(400X600)



TYPICAL DETAILS OF  
FB-2(400X600)

- NOTES :-**
- ALL DIMENSIONS ARE IN MM. UNLESS OTHERWISE MENTIONED.
  - SUPER STRUCTURE : ALL SUPER STRUCTURE BRICK WORK SHALL BE OF AAC BLOCKS .
  - ALL GRADE OF CONCRETE M25.
  - ALL MATERIALS SHALL CONFORM TO RELEVANT I.S. CODES.
  - FOR STEEL GRADE Fe 500 AS PER IS 1786-2008.
  - LAPS, SPLICES & BOND LENGTH SHOULD BE 50 D WHERE 'D' IS THE SMALLEST BAR DIA.
  - FOUNDATION & PLINTH : BRICKWORK IN FOUNDATION & PLINTH SHALL BE OF 1ST CLASSBRICK IN 1:6 CEMENT MORTAR.
  - MINIMUM CLEAR COVER TO MAIN REINFORCEMENT IS AS FOLLOWS:

MEMBER	TOP	BOTTOM	SIDE
a. FOUNDATION BEAM & SLAB	50	50	50
b. COLUMN	-	-	40
c. TIE BEAM.	30	30	30
d. FLOOR BEAM.	30	30	30
e. FLOOR SLAB.	25	25	25
f.PILE	-	-	50
f.PILECAP	50	75	50

9. THIS DRAWING IS THE PROPERTY OF M/S S.P.A CONSULTANT AND CANNOT BE COPIED OR USED WITHOUT THEIR WRITTEN PERMISSION.

**LAND SCHEDULE**

L.R. PLOT NO - 134,138,148,149  
L.R. KHATIAN NO - 2235, 2244, 2246, 2253, 2982, 2983, 2984, 1562, 2238, 2944, 2947, 2955

J.L. NO - 112  
MOUZA - NITYANANDAPUR  
P.S. - MALDA  
DIST. - MALDA

**DECLARATION OF THE OWNER'S:**

DECLARED THAT I HAVE NOT ALTER OR MAKE ANY ADDITION TO THIS PLAN. DECLARED THAT I HAVE GONE THROUGH THE RULES AND REGULATIONS FOR RELEVANT AUTHORITY AND ALSO UNDERTAKE TO ABIDE BY THESE RULES AND REGULATION DURING AND AFTER THE CONSTRUCTION OF BUILDING. I MAY APPOINT A L.B.S./OR TECHNICAL PERSON FOR THE SUPERVISION OF CONSTRUCTION.

1. Sanjiv Chatterjee  
2. Sumon Chatterjee  
3. Sanyu Chatterjee  
4. Mili Saha  
5. Sonali Saha  
6. Anay Saha  
7. Ritoban Chatterjee  
8. Abhishek Chatterjee  
9. Arunima Chatterjee

SIGN. OF THE OWNER'S

**DECLARATION OF THE L.B.A.:**

CERTIFIED THAT THE PLAN HAVE BEEN DESIGNED & DRAWN UP STRICTLY ACCORDING TO THE NATIONAL BUILDING CODE (N.B.C.) 2016 & RELEVANT AUTHORITY.

*Arijit Ghosh*  
ARIJIT GHOSH  
Architect  
Regn. No.-CA2001/27427

SIGN. OF THE L.B.A.

**CERTIFICATE OF STRUCTURAL STABILITY**

I/WE HEREBY CERTIFY THAT THE FOUNDATION AND SUPERSTRUCTURE OF THE BUILDING PROPOSED FOR CONSTRUCTION ON PLOT MENTIONED ABOVE UNDER THE JURISDICTION OF S.M.C./NOTIFIED AREA AUTHORITY/ INDUSTRIAL TOWNSHIP AUTHORITY WILL BE PERSONALLY INSPECTED AND SO DESIGNED BY ME/US & WE WILL ENSURE THAT THE CONCERNED FOUNDATION AND SUPER STRUCTURE IS SAFE IN ALL RESPECT INCLUDING CONSIDERATION OF BEARING CAPACITY AND SETTLEMENT OF SOIL AND OTHER CONDITIONS, IF ANY CONFORMING TO ALL STIPULATIONS OF ALL RELEVANT IS CODE OF PRACTICE AND NATIONAL BUILDING CODE.

*Sanjiv J. Chatterjee*  
SANJIV J. CHATTERJEE  
M.E. STRUCTURE, M.E.(CONSTR.ENG.)  
B.C.E., FIB(F-41820-4)  
E.S.E. No. 104 (1) K.M.C.

SIGN. OF STRUCTURAL ENGINEER